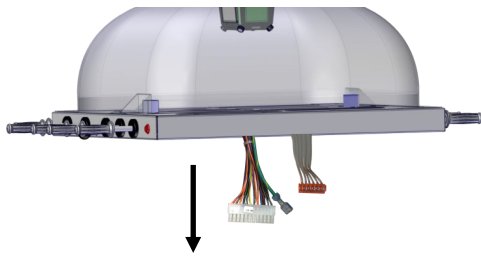


QUICK ASSEMBLY

Not for Split base games - See manual for more information.



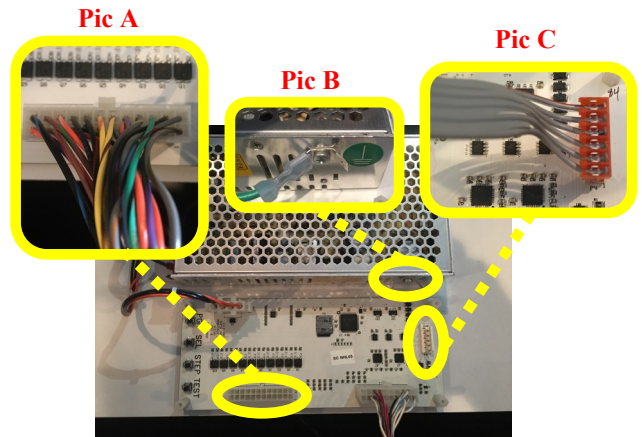
Step 1:

Unbox the upper dome and base. Position the dome on to the base oriented with hinge side of cabinet opposite of the coin door or decal on the side of the base.



Step 2:

Pic A - Plug the main harness into P3.
Pic B - Plug the ground wire onto the power supply.
Pic C - Plug the Jumbotron harness to P4.



DO NOT TIGHTEN UNLESS ALL FOUR BOLTS ARE STARTED!



Step 3:

Secure the upper cabinet to the podium using four AA6404 5/16-18 x3" Allen bolts and four AA6067 washers. **Start the bolts by hand. Make sure not to cross thread them as you turn. Once all four are started, use the tool provided to tighten them.**

Then plug the game into a 110 or 220 volt GROUNDING AC outlet. Open the coin door to access the power switch. On the home version, press the "POWER" button located at the side of the base.